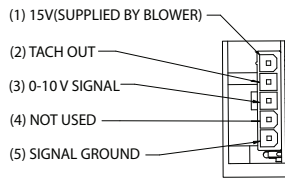
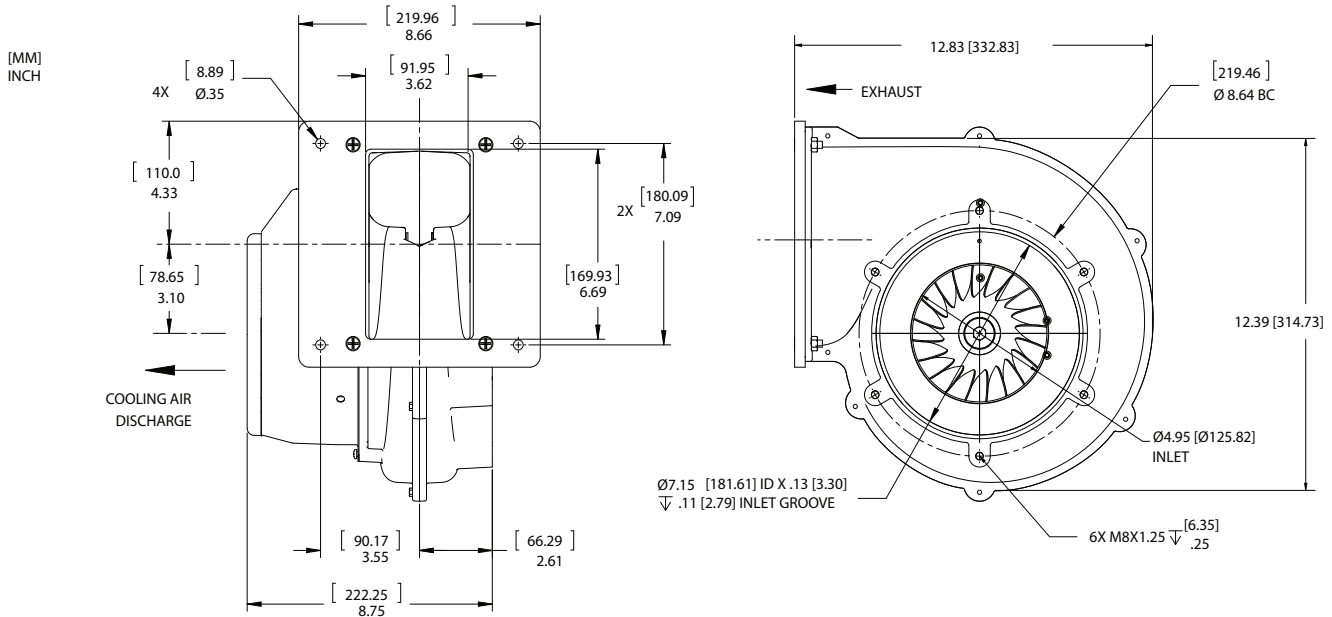


High Voltage Brushless DC Blowers

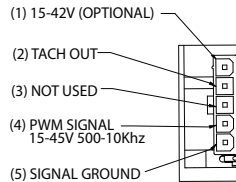
Nautilair (TM) 12.3" (312mm) Variable Speed Blower

120 Volt AC Input, Single Phase, Standard Output

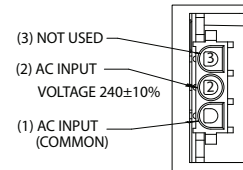
Nautilair



0-10 VDC CONNECTION



PWM CONNECTION



POWER CONNECTION

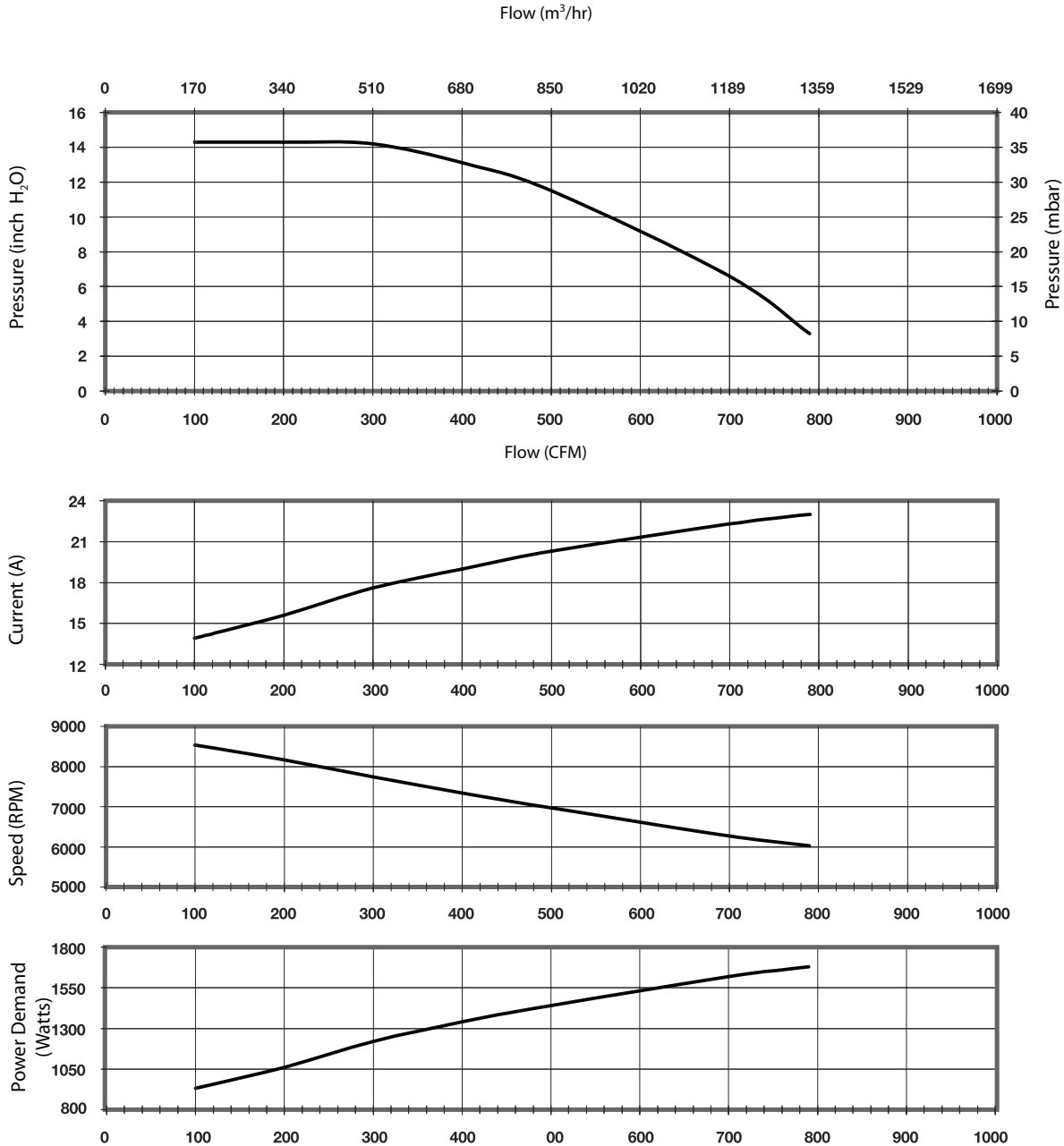
		Part/ Model Number		
Specification	Units	150530	150531	150532
Speed Control	-	Mechanical	0-10VDC	PWM

Notes:

- **Input Voltage Range:** 108 - 132 Volts AC RMS, 50/60 Hz, single phase or 153 - 187 VDC
- **Input Current:** 16 amps AC RMS
- **Operating Temperature (Ambient Air and Working Air):** 0°C to 50°C
- **Storage Temperature:** -40°C to 85°C
- **Dielectric Testing:** 1500 Volts AC RMS 60 Hz applied for one second between input pins and ground, 3mA leakage maximum.
- **Speed Control:** PWM 15-45 VDC @ 500 Hz - 10 kHz; 0-10 VDC; mechanical (potentiometer); 4 - 20 mA; remote potentiometer
- **Approximate Weight:** 28 Lbs. / 12.7 Kg
- **Option Card available for Customization**
- **Regulatory Agency Certification:** Underwriters Laboratories, Inc. qualified per UL507 under File E-94403. Canadian Standards Association qualified per C22.2#113 under File LR 43448.
- **Miscellaneous:** Designed to provide variable airflow for low NOx & CO emissions in high efficiency gas-fired combustion systems. Intake and exhaust tubes, all cooling ducts and vents must not be obstructed. Intake and exhaust must be free of grease, oil and foreign particles. Amp housing 350766-1 w/ Amp contacts 350536-1 for power connection (supplied by customer) and Molex housing 39-01-4050 or 39-01-4051 w/ Molex contacts 39-00-0039 (18 - 24 awg) or 39-00-0078 (16 awg) for speed control function (supplied by customer). Non-sparking, hardened aluminum impeller. Mating harnesses available upon request.

This document is for informational purposes only and should not be considered as a binding description of the products or their performance in all applications. The performance data on this page depicts typical performance under controlled laboratory conditions. AMETEK is not responsible for blowers driven beyond factory specified speed, temperature, pressure, flow or without proper alignment. Actual performance will vary depending on the operating environment and application. AMETEK products are not designed for and should not be used in medical life support applications. AMETEK reserves the right to revise its products without notification. The above characteristics represent standard products. For product designed to meet specific applications, contact AMETEK Dynamic Fluid Solutions Sales department.

Typical Performance



Data presented represents blower performance at STANDARD AIR DENSITY, .075 lb/ft³ (29.92" Hg, Sea Level, 68° F)
Vacuum performance available upon request.

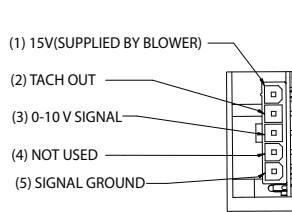
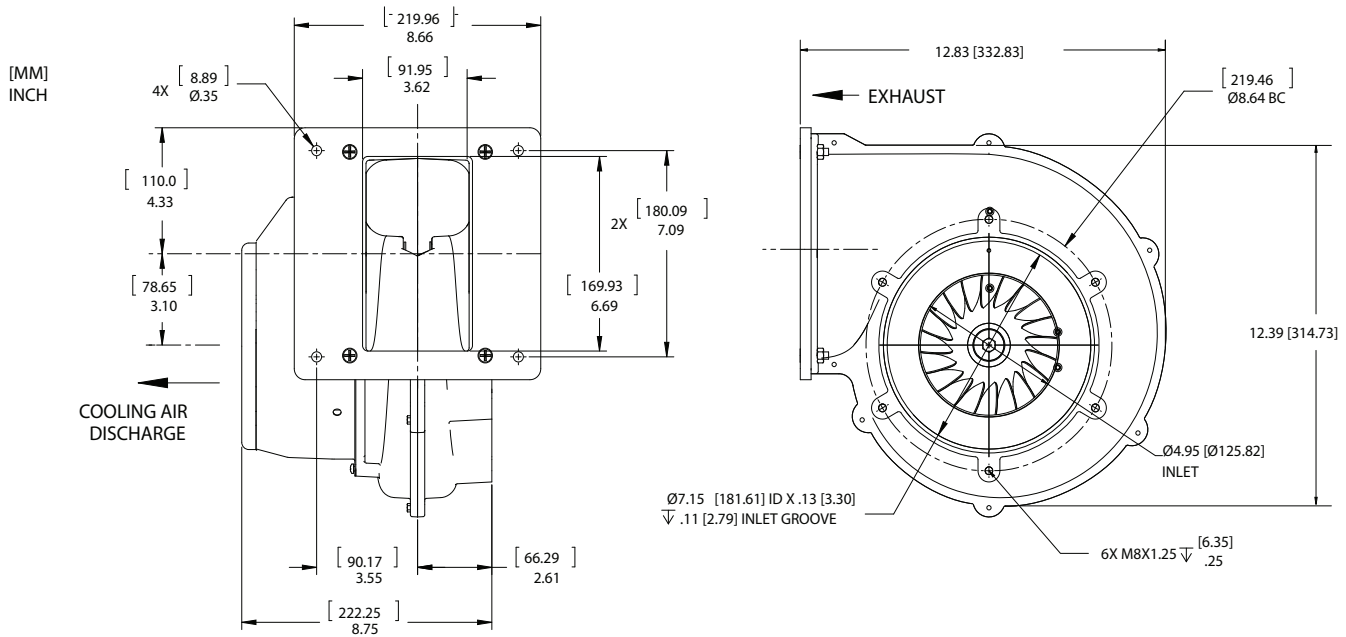
This document is for informational purposes only and should not be considered as a binding description of the products or their performance in all applications. The performance data on this page depicts typical performance under controlled laboratory conditions. AMETEK is not responsible for blowers driven beyond factory specified speed, temperature, pressure, flow or without proper alignment. Actual performance will vary depending on the operating environment and application. AMETEK products are not designed for and should not be used in medical life support applications. AMETEK reserves the right to revise its products without notification. The above characteristics represent standard products. For product designed to meet specific applications, contact AMETEK Dynamic Fluid Solutions Sales department.

High Voltage Brushless DC Blowers

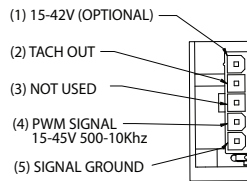
Nautilair (TM) 12.3" (312mm) Variable Speed Blower

240 Volt AC Input, Single Phase, Standard Output

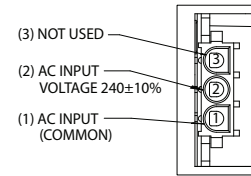
Nautilair



0-10 VDC CONNECTION



PWM CONNECTION



POWER CONNECTION

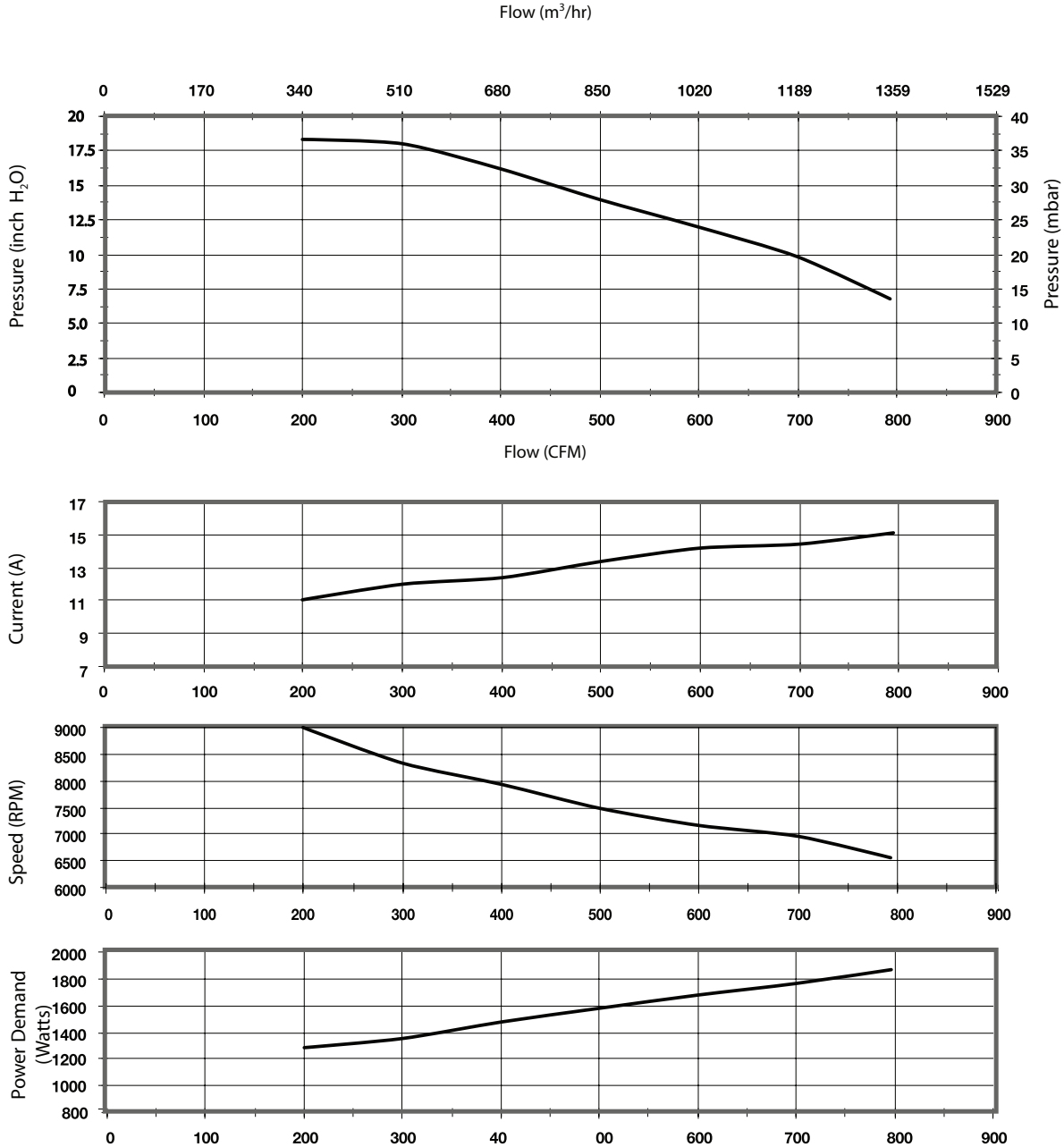
		Part/ Model Number		
Specification	Units	150540	150541	150542
Speed Control	-	Mechanical	0-10VDC	PWM

Notes:

- **Input Voltage Range:** 216 - 264 Volts AC RMS, 50/60 Hz, single phase or 305 - 373 VDC
- **Input Current:** 12 amps AC RMS
- **Operating Temperature (Ambient Air and Working Air):** 0°C to 50°C
- **Storage Temperature:** -40°C to 85°C
- **Dielectric Testing:** 1500 Volts AC RMS 60 Hz applied for one second between input pins and ground, 3mA leakage maximum.
- **Speed Control:** PWM 15-45 VDC @ 500 Hz - 10 kHz; 0-10 VDC; mechanical (potentiometer); 4 - 20 mA; remote potentiometer
- **Approximate Weight:** 28 Lbs. / 12.7 Kg.
- **Option Card available for Customization**
- **Regulatory Agency Certification:** Underwriters Laboratories, Inc. qualified per UL507 under File E-94403. Canadian Standards Association qualified per C22.2#113 under File LR 43448.
- **Miscellaneous:** Designed to provide variable airflow for low NOx & CO emissions in high efficiency gas-fired combustion systems. Intake and exhaust tubes, all cooling ducts and vents must not be obstructed. Intake and exhaust must be free of grease, oil and foreign particles. Amp housing 350766-1 w/ Amp contacts 350536-1 for power connection (supplied by customer) and Molex housing 39-01-4050 or 39-01-4051 w/ Molex contacts 39-00-0039 (18 - 24 awg) or 39-00-0078 (16 awg) for speed control function (supplied by customer). Non-sparking, hardened aluminum impeller. Mating harnesses available upon request.

This document is for informational purposes only and should not be considered as a binding description of the products or their performance in all applications. The performance data on this page depicts typical performance under controlled laboratory conditions. AMETEK is not responsible for blowers driven beyond factory specified speed, temperature, pressure, flow or without proper alignment. Actual performance will vary depending on the operating environment and application. AMETEK products are not designed for and should not be used in medical life support applications. AMETEK reserves the right to revise its products without notification. The above characteristics represent standard products. For product designed to meet specific applications, contact AMETEK Dynamic Fluid Solutions Sales department.

Typical Performance



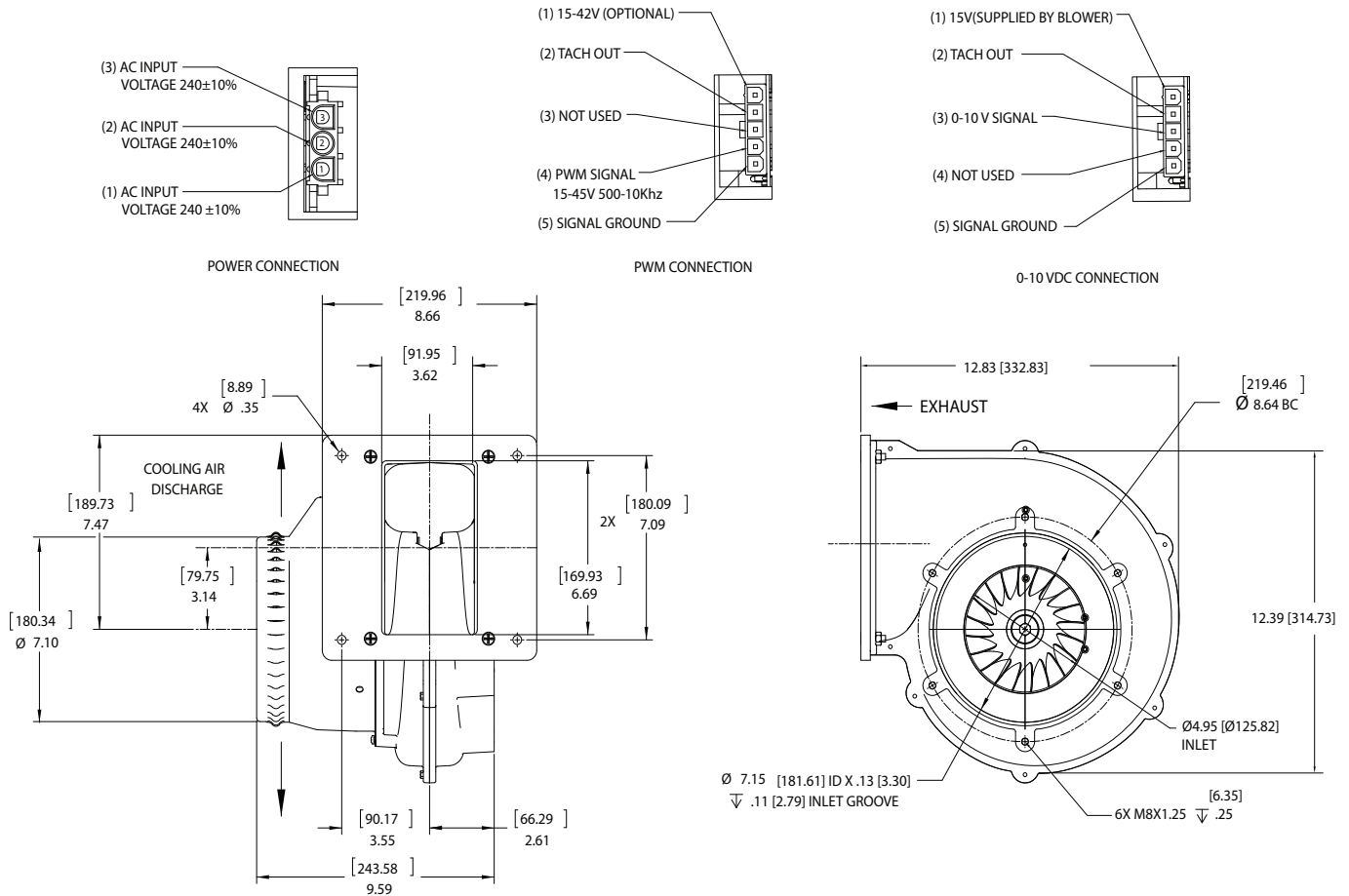
Data presented represents blower performance at STANDARD AIR DENSITY, .075 lb/ft³ (29.92" Hg, Sea Level, 68° F)
 Vacuum performance available upon request.

This document is for informational purposes only and should not be considered as a binding description of the products or their performance in all applications. The performance data on this page depicts typical performance under controlled laboratory conditions. AMETEK is not responsible for blowers driven beyond factory specified speed, temperature, pressure, flow or without proper alignment. Actual performance will vary depending on the operating environment and application. AMETEK products are not designed for and should not be used in medical life support applications. AMETEK reserves the right to revise its products without notification. The above characteristics represent standard products. For product designed to meet specific applications, contact AMETEK Dynamic Fluid Solutions Sales department.

High Voltage Brushless DC Blowers

Nautilair (TM) 12.3" (312mm) Variable Speed Blower

240 Volt AC Input, Three Phase, High Output



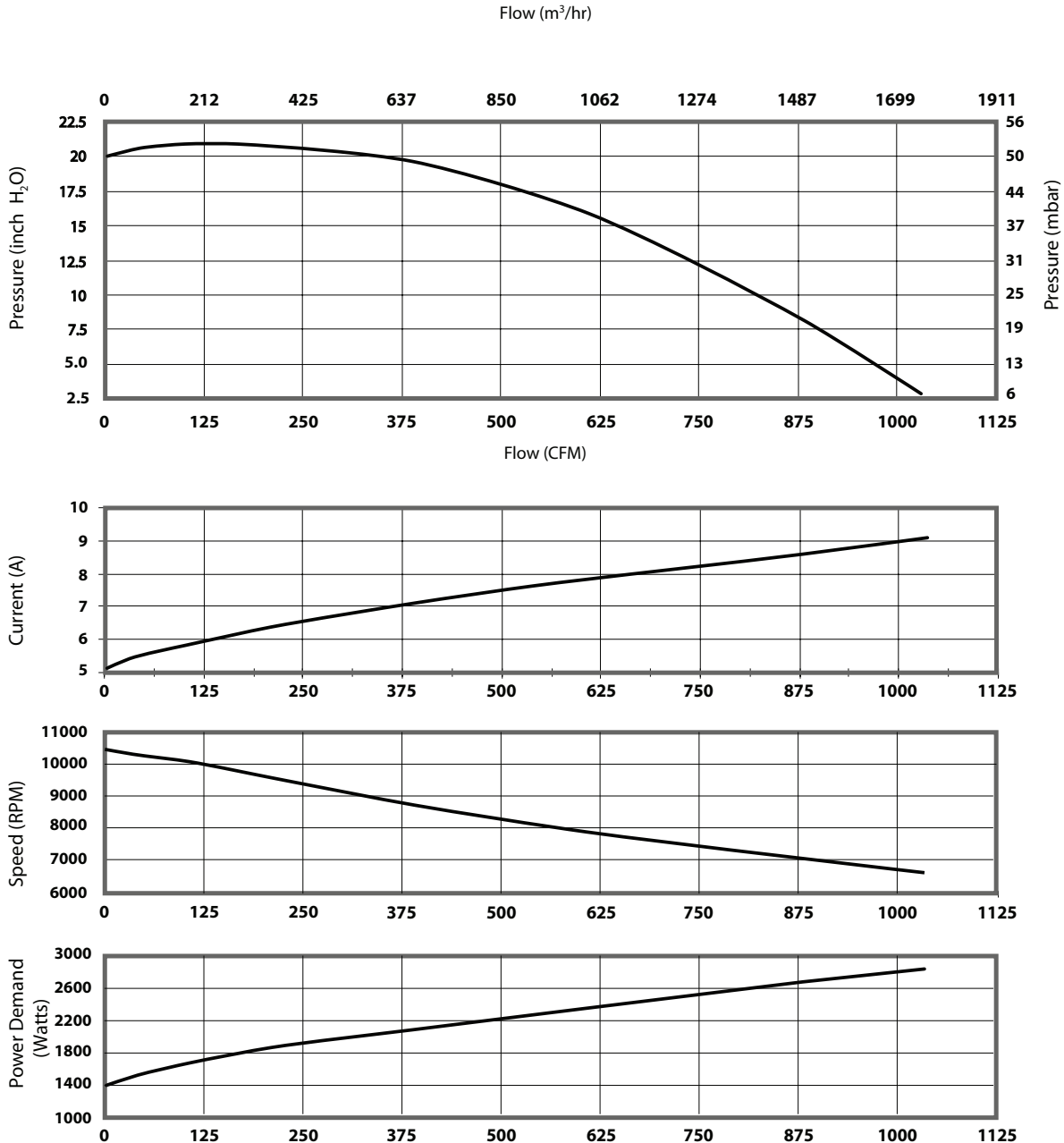
		Part/ Model Number		
Specification	Units	151130	151131	151132
Speed Control	-	Mechanical	0-10 VDC	PWM

Notes:

- **Input Voltage Range:** 216 - 264 Volts AC RMS, 50/60 Hz, three phase, or 305-373 VDC
- **Input Current:** 10 amps AC RMS
- **Operating Temperature (Ambient Air and Working Air):** 0°C to 50°C
- **Storage Temperature:** -40°C to 85°C
- **Dielectric Testing:** 1500 Volts AC RMS 60 Hz applied for one second between input pins and ground, 3mA leakage maximum.
- **Speed Control:** PWM 15-45 VDC @ 500 Hz - 10 kHz; 0-10 VDC; mechanical (potentiometer); 4 - 20 mA; remote potentiometer
- **Approximate Weight:** 28 Lbs. / 12.7 Kg.
- **Option Card available for Customization**
- **Regulatory Agency Certification:** Underwriters Laboratories, Inc. qualified per UL507 under File E-94403. Canadian Standards Association qualified per C22.2#113 under File LR 43448.
- **Miscellaneous:** Designed to provide variable airflow for low NOx & CO emissions in high efficiency gas-fired combustion systems. Intake and exhaust tubes, all cooling ducts and vents must not be obstructed. Intake and exhaust must be free of grease, oil and foreign particles. Amp housing 350766-1 w/ Amp contacts 350536-1 for power connection (supplied by customer) and Molex housing 39-01-4050 or 39-01-4051 w/ Molex contacts 39-00-0039 (18 - 24 awg) or 39-00-0078 (16 awg) for speed control function (supplied by customer). Non-sparking, hardened aluminum impeller. Mating harnesses available upon request.

This document is for informational purposes only and should not be considered as a binding description of the products or their performance in all applications. The performance data on this page depicts typical performance under controlled laboratory conditions. AMETEK is not responsible for blowers driven beyond factory specified speed, temperature, pressure, flow or without proper alignment. Actual performance will vary depending on the operating environment and application. AMETEK products are not designed for and should not be used in medical life support applications. AMETEK reserves the right to revise its products without notification. The above characteristics represent standard products. For product designed to meet specific applications, contact AMETEK Dynamic Fluid Solutions Sales department.

Typical Performance



Data presented represents blower performance at STANDARD AIR DENSITY, .075 lb/ft³ (29.92" Hg, Sea Level, 68° F)
 Vacuum performance available upon request.

This document is for informational purposes only and should not be considered as a binding description of the products or their performance in all applications. The performance data on this page depicts typical performance under controlled laboratory conditions. AMETEK is not responsible for blowers driven beyond factory specified speed, temperature, pressure, flow or without proper alignment. Actual performance will vary depending on the operating environment and application. AMETEK products are not designed for and should not be used in medical life support applications. AMETEK reserves the right to revise its products without notification. The above characteristics represent standard products. For product designed to meet specific applications, contact AMETEK Dynamic Fluid Solutions Sales department.