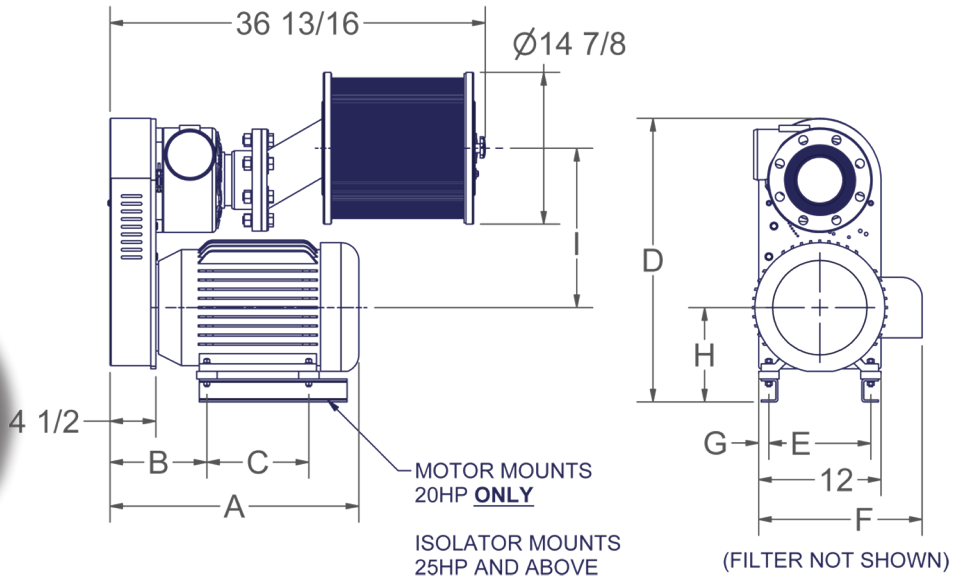




# Republic Centrifugal Blower RB 2000

REPUBLIC  
Blower Systems®



## RB 2000 Specifications

- ▲ 20-40 Horsepower – Up to 20,000 RPM
- ▲ Most Versatile, Providing Local Mounting
- ▲ Ceramic Hybrid Bearings
- ▲ Multi-lip Seals on Both Ends of the Shaft
- ▲ Easy to Remove Bearing/Impeller Housing for Quick Repair
- ▲ Hard Anodized (optional)
- ▲ Blower Outlet Discharge is Rotatable 360°
- ▲ Precision Balanced Shaft/Impeller Assemblies
- ▲ Zinc Plated Steel Motor Pulley
- ▲ Stainless Steel Blower Pulley
- ▲ Aluminum Blower Housing
- ▲ 6061 T6 Aluminum Impeller
- ▲ Bearing Housing is Steel Construction for Extra Rigidity
- ▲ 16 Groove Belt for Long Life
- ▲ Inlet and Outlet Flanges Available
- ▲ Enclosures for Noise Control (optional)
- ▲ Exhaust Silencer (optional)
- ▲ Operational with all Types of Motors– Washdown, Explosion Proof, High Efficiency and Hydraulic
- ▲ 100% Operational Performance and Vibration Tested
- ▲ One Year Warranty
- ▲ Water-cooled Blower Available
- ▲ 5" Discharge

HP	A	B	C	D	E	F	G	H	I	Weight
20 (256TC)	24 13/32	9 1/2	10	27 13/16	10	16 1/32	1	9 1/4	15 5/8	337 lbs.
25 (284TSC)	26 1/16	9 1/2	9 1/2	27 1/16	11	18 3/32	1/2	8 1/2	15 5/8	362 lbs.
30 (286TSC)	26 3/16	9 1/2	9 1/2	28 1/16	11	19 1/8	1/2	8 1/2	15 5/8	474 lbs.
40 (324TSC)	29 25/32	10	10 1/2	29 1/2	12 1/2	20 5/8	1/4	9 1/2	17 1/8	528 lbs.

Retro Kit Est. WGT. (lbs)

79

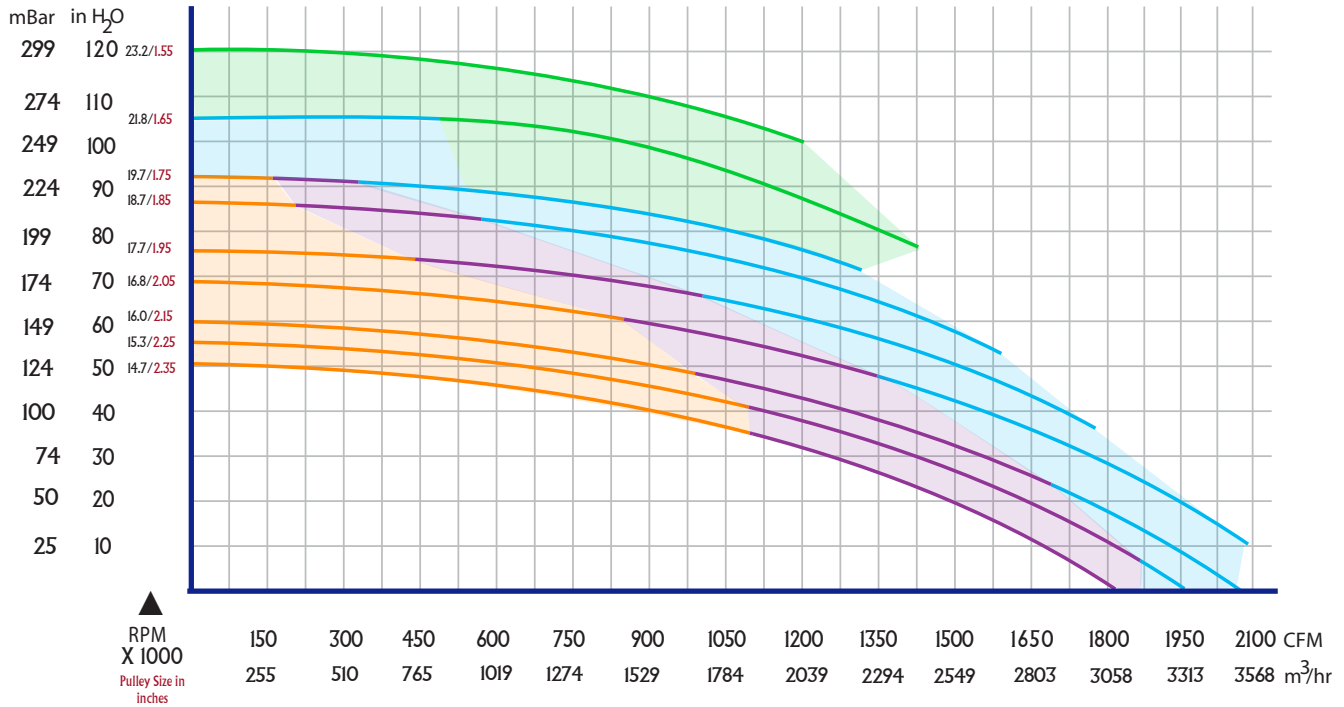


# Republic Centrifugal Blower Performance Curves

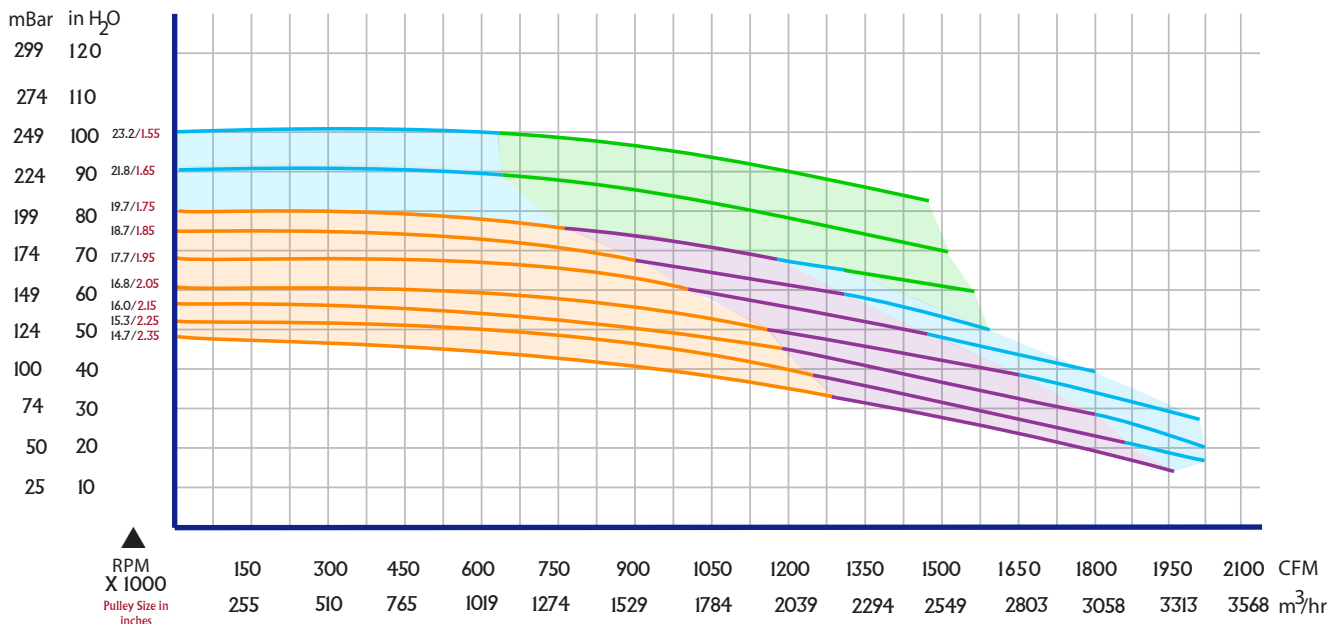
**REPUBLIC**  
Blower Systems®

**RB 2000/20-40 HP**

## Pressure vs. CFM



## Vacuum vs. CFM



Standard cubic feet per minute, air at 14.7 psia, 68°F, 36% R.H.  
1" H<sub>2</sub>O = .074" Hg = .036 PSIG = .57 oz = 25.4 mm H<sub>2</sub>O

■ RB 2000-20 HP    
 ■ RB 2000-25 HP    
 ■ RB 2000-30 HP    
 ■ RB 2000-40 HP

5131 Cash Road ▲ Dallas, TX 75247 ▲ P 214.631.8070 ▲ F 214.631.3673 ▲ 800.847.0380

[www.republicsales.com](http://www.republicsales.com)

©2011 Republic Sales & Manufacturing  
Modified 05/12  
280-0076