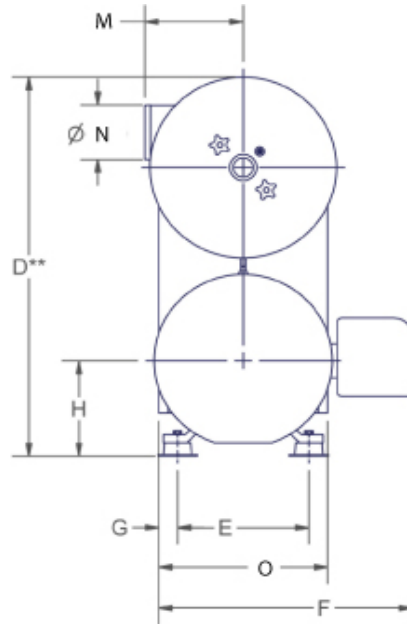
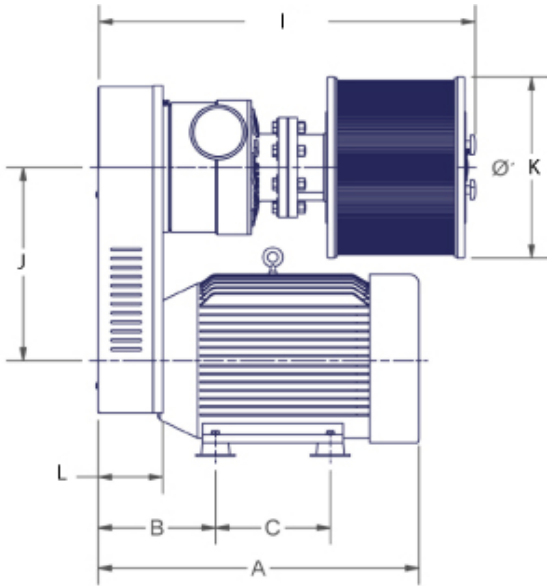




Republic Centrifugal Blower RB 4000

REPUBLIC
Blower Systems®



RB 4000 Specifications

- ▲ 40-75 Horsepower – Up to 14,000 RPM
- ▲ Ceramic Hybrid Bearings
- ▲ Mechanical Seals on Both Ends of the Shaft
- ▲ Easy to Remove Bearing/Impeller Housing for Quick Repair
- ▲ Hard Anodized (optional)
- ▲ Blower Outlet Discharge is Rotatable 360°
- ▲ Precision Balanced Shaft/Impeller Assemblies
- ▲ Zinc Plated Steel Motor Pulley
- ▲ Stainless Steel Blower Pulley
- ▲ Aluminum Blower Housing
- ▲ 6061 T6 Aluminum Impeller
- ▲ Bearing Housing is Steel Construction for Extra Rigidity
- ▲ 20 Groove Self Tensioning Belt
- ▲ Flanged Inlet and Standard Tube Outlet (Flanged outlet available at additional cost)
- ▲ Enclosures for Noise Control (optional)
- ▲ Exhaust Silencer (optional)
- ▲ Operational with all Types of Motors– Washdown, Explosion Proof, High Efficiency and Hydraulic
- ▲ 100% Operational Performance and Vibration Tested
- ▲ One Year Warranty
- ▲ 6" Flanged Discharge
- ▲ Soft Start Recommended

HP	A	B	C	D	E	F	G	H	I	J	K	L	M	N	O
40	31.62	9.87	16	41.69	14.62	22.62	1.06	10.50	40 1/16	21 1/4	19 7/8	6 7/8	10 1/2	6	18
mm	803.15	250.70	406.40	1058.9	371.35	574.55	26.924	266.70	1017.6	539.75	504.82	174.62	266.70	152.40	457.20
50	31.75	9.87	16	41.69	14.62	22.62	1.06	10.50	40 1/16	21 1/4	19 7/8	6 7/8	10 1/2	6	18
mm	806.45	250.70	406.40	1058.9	371.35	574.55	26.924	266.70	1017.6	539.75	504.82	174.62	266.70	152.40	457.20
60	34.19	12.50	11.25	41.69	14	27.06	2	10.50	40 1/16	21 1/4	19 7/8	6 7/8	10 1/2	6	18
mm	868.43	317.50	285.75	1058.9	355.60	687.32	50.800	266.70	1017.6	539.75	504.82	174.62	266.70	152.40	457.20
75	34.19	12.50	12.25	41.69	14	27.06	2	10.50	40 1/16	21 1/4	19 7/8	6 7/8	10 1/2	6	18
mm	868.43	317.50	311.15	1058.9	355.60	687.32	50.800	266.70	1017.6	539.75	504.82	174.62	266.70	152.40	457.20

Retro Kit Est. WGT. (lbs) 280

HP	Est. WGT. (lbs)	Est. WGT. (kg)
40	528 lbs	239 kg
50	587 lbs	266 kg
60	820 lbs	371 kg
75	890 lbs	403 kg

5131 Cash Road ▲ Dallas, TX 75247 ▲ P 214.631.8070 ▲ F 214.631.3673 ▲ 800.847.0380

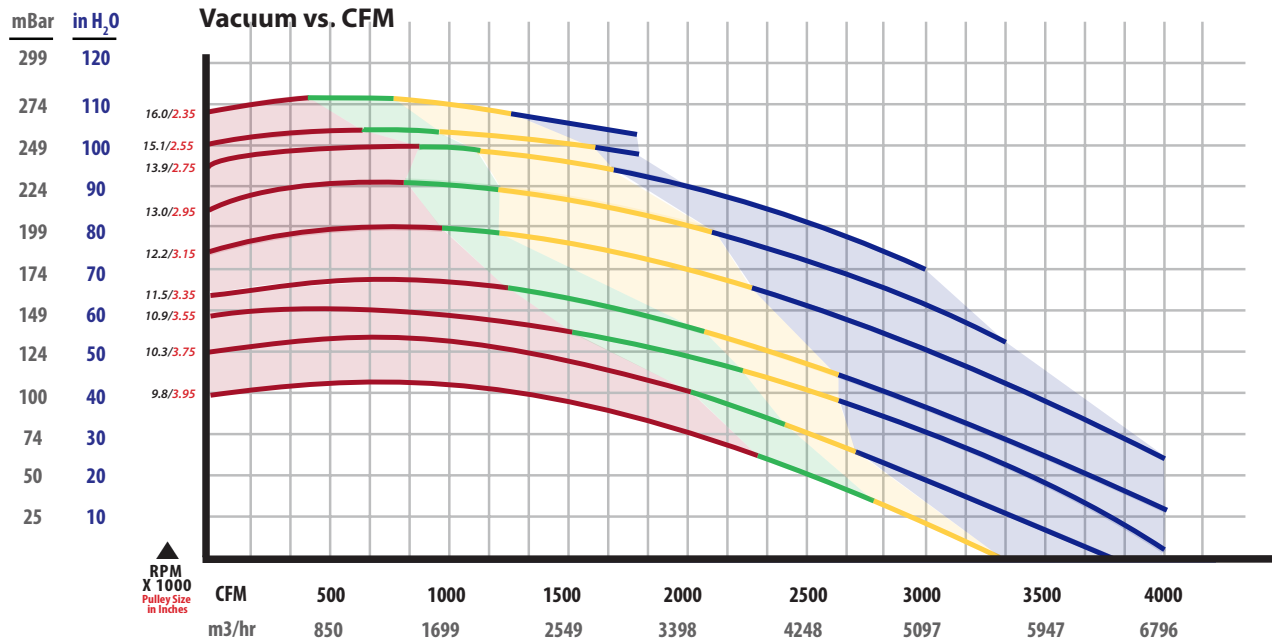
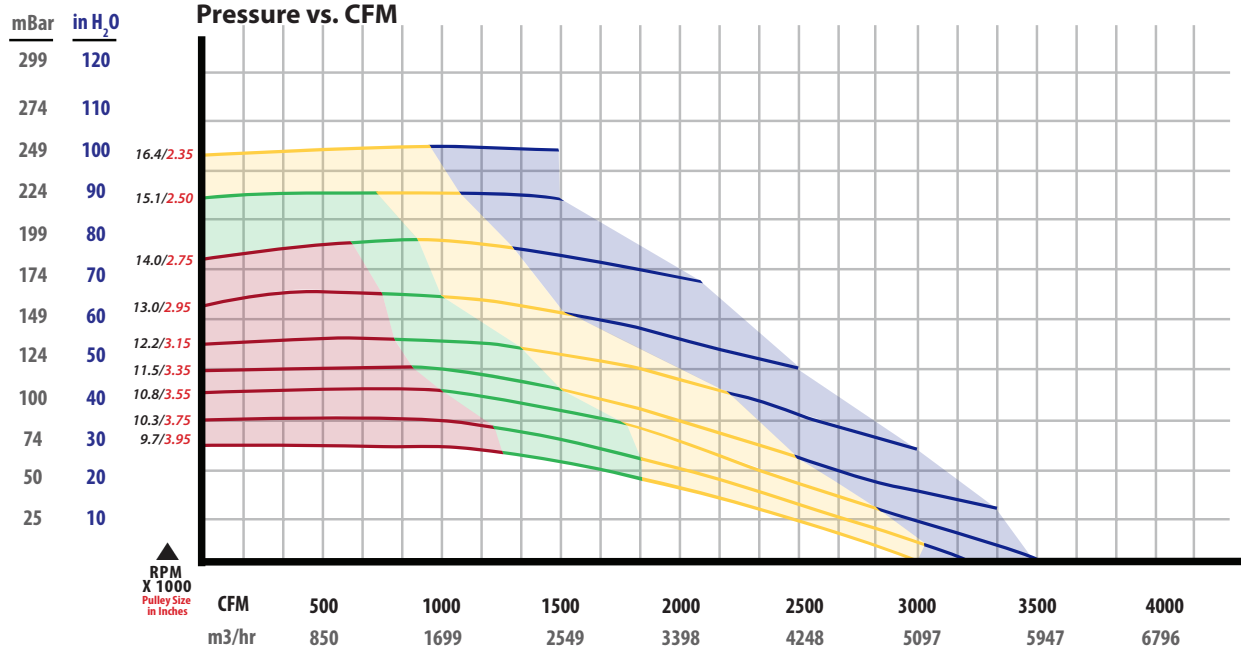
www.republicsales.com



Republic Centrifugal Blower Performance Curves

R E P U B L I C
Blower Systems®

RB 4000/40-75 HP



Standard cubic feet per minute, air at 14.7 PSIA, 68° F, 36% R.H.
 $1'' \text{ H}_2\text{O} = 0.074'' \text{ Hg} = 0.036 \text{ PSIG} = 0.57 \text{ oz} = 25.4 \text{ mm H}_2\text{O}$

■ RB4000-40 HP
 ■ RB4000-50 HP
 ■ RB4000-60 HP
 ■ RB4000-75 HP

5131 Cash Road ▲ Dallas, TX 75247 ▲ P 214.631.8070 ▲ F 214.631.3673 ▲ 800.847.0380

www.republicsales.com

©2012 Republic Blower Systems
 Revised 07.2012
 280-0096