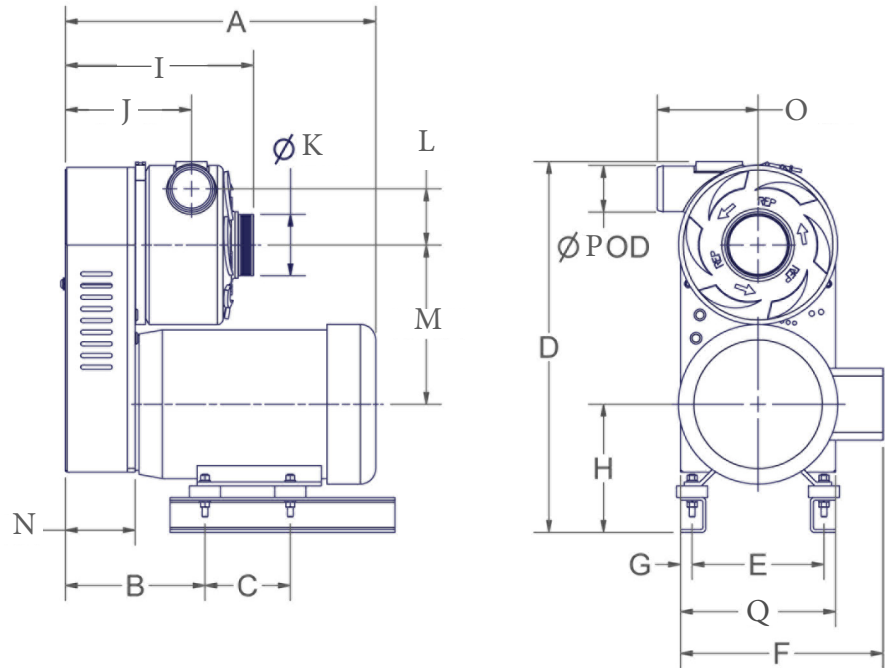




REPUBLIC

Republic Centrifugal Blower RB 800



RB 800 Specifications

- ▲ 3-15 Horsepower – Up to 20,000 RPM
- ▲ Smallest Footprint – Ideal Inside Machine Cabinets
- ▲ Ceramic Hybrid Bearings
- ▲ Multi-lip Seals on Both Ends of the Shaft
- ▲ Easy to Remove Bearing/Impeller Housing for Quick Repair
- ▲ Lightweight, small envelope design
- ▲ Automatic self-adjusting belt tensioner
- ▲ Hard Black Anodize (Optional)
- ▲ Blower Outlet Discharge is Rotatable 360°
- ▲ Precision Balanced Shaft/Impeller Assemblies
- ▲ Zinc Plated Steel Motor Pulley
- ▲ Stainless Steel Blower Pulley

- ▲ Aluminum Blower Housing
- ▲ 6061 T6 Aluminum Impeller
- ▲ Bearing Housing is Steel Construction for Extra Rigidity
- ▲ 16 Groove Belt for Long Life
- ▲ Inlet and Outlet Flanges Available
- ▲ Enclosures for Noise Control
- ▲ Protection Against Contaminants
- ▲ Operational with all types of Motors – Washdown, Explosion Proof, High Efficiency and Hydraulic
- ▲ 100% Operational Performance and Vibration Tested
- ▲ One Year Warranty
- ▲ Water-cooled Blower Available

HP	A	B	C	D	E	F	G	H	I	J	K	L	M	N	O	P	Q
3 (182T)	17 1/16	8 1/8	4 1/2	23 3/8	7 1/2	11 7/8	1 1/4	7 1/2	12 1/8	8 1/8	3.96	3 3/8	10 1/4	4 1/2	6 1/2	3	10
mm	433.39	206.37	114.30	587.37	190.50	301.62	31.750	190.50	307.97	206.37	100.58	92.075	260.35	114.30	165.10	76.200	254.00
5 (184T)	17 1/16	8 1/8	5 1/2	23 3/8	7 1/2	11 7/8	1 1/4	7 1/2	12 1/8	8 1/8	3.96	3 3/8	10 1/4	4 1/2	6 1/2	3	10
mm	433.39	206.37	139.70	587.37	190.50	301.62	31.750	190.50	307.97	206.37	100.58	92.075	260.35	114.30	165.10	76.200	254.00
7 1/2 (213T)	20	9	5 1/2	23 7/8	8 1/2	13 1/16	3/4	8 1/4	12 1/8	8 1/8	3.96	3 3/8	10 1/4	4 1/2	6 1/2	3	10
mm	508.00	228.60	139.70	587.37	215.90	331	19.050	209.55	307.97	206.37	100.58	92.075	260.35	114.30	165.10	76.200	254.00
10 (215T)	20 3/8	9	7	23 7/8	8 1/2	13 1/16	3/4	8 1/4	12 1/8	8 1/8	3.96	3 3/8	10 1/4	4 1/2	6 1/2	3	10
mm	517.52	228.60	177.80	587.37	215.90	331.79	19.050	209.55	307.97	206.37	100.58	92.075	260.35	114.30	165.10	76.200	254.00

HP	Est. WGT. (lbs)	Est. WGT. (kg)
3 (182T)	138 lbs	62 kg
5 (184T)	149 lbs	67 kg
7 1/2 (213T)	198 lbs	89 kg
10 (215T)	226 lbs	102 kg

Retro Kit Est. WGT. (lbs)	68
---------------------------	----

Noise Control	With Enclosure	No Enclosure
With Silencer	74-78 dB	88-90 dB
No Silencer	80-82 dB	92-96 dB

5131 Cash Road ▲ Dallas, TX 75247 ▲ P 214.631.8070 ▲ F 214.631.3673 ▲ 800.847.0380

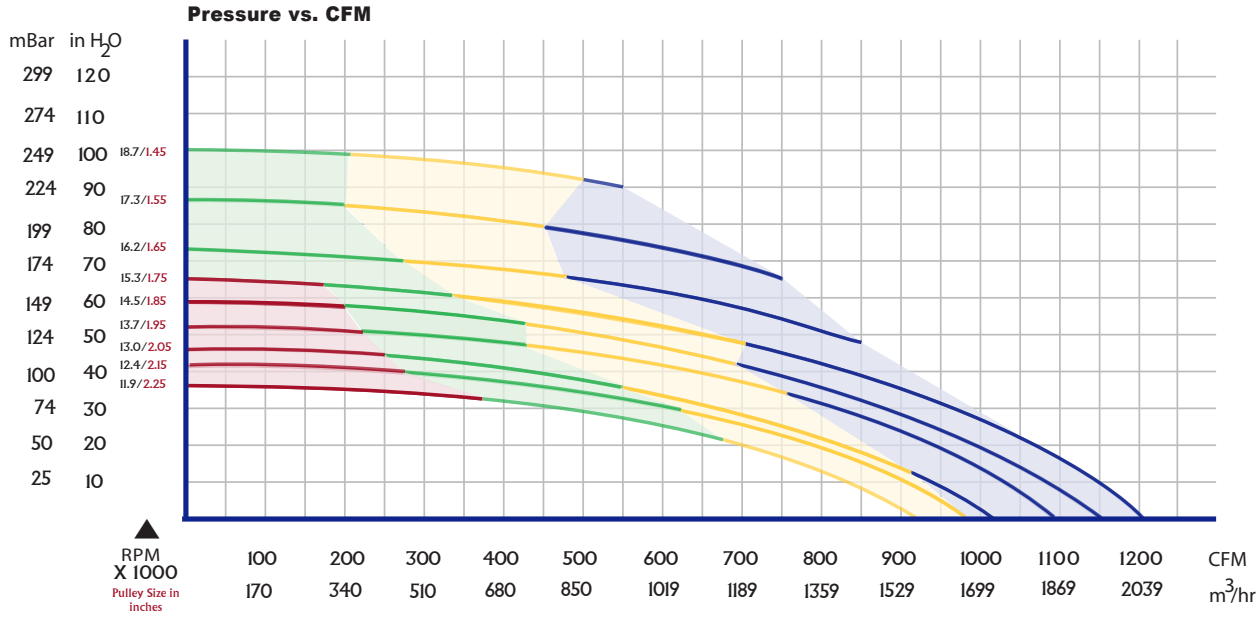
www.republicsales.com



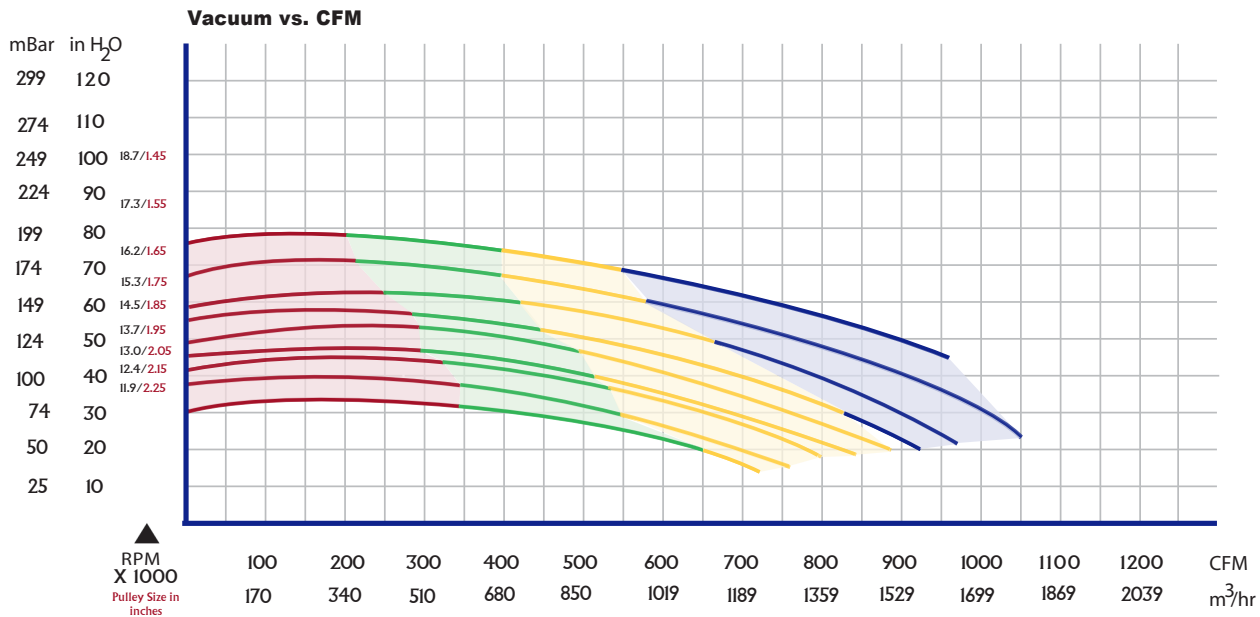
REPUBLIC

Republic Centrifugal Blower Performance Curves

RB 800/5-15 HP



RB 800/5-15 HP



Standard cubic feet per minute, air at 14.7 psia, 68°F, 36% R.H.
 1" H₂O = .074" Hg = .036 PSIG = .57 oz = 25.4 mm H₂O

■ RB 800-5 HP
 ■ RB 800-7.5 HP
 ■ RB 800-10 HP
 ■ RB 800-15 HP

5131 Cash Road ▲ Dallas, TX 75247 ▲ P 214.631.8070 ▲ F 214.631.3673 ▲ 800.847.0380

www.republicsales.com